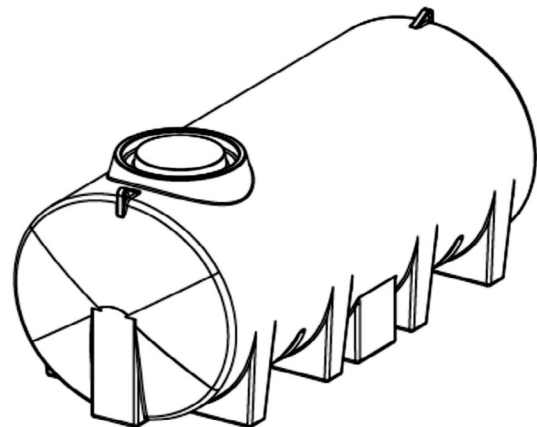
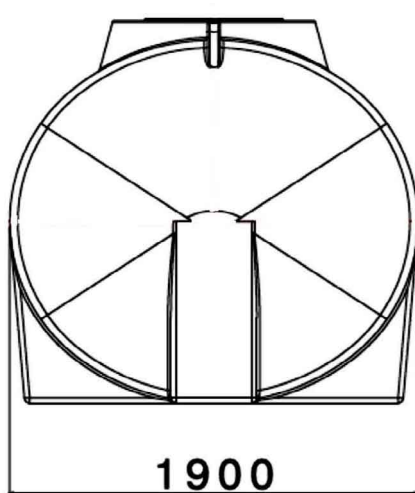
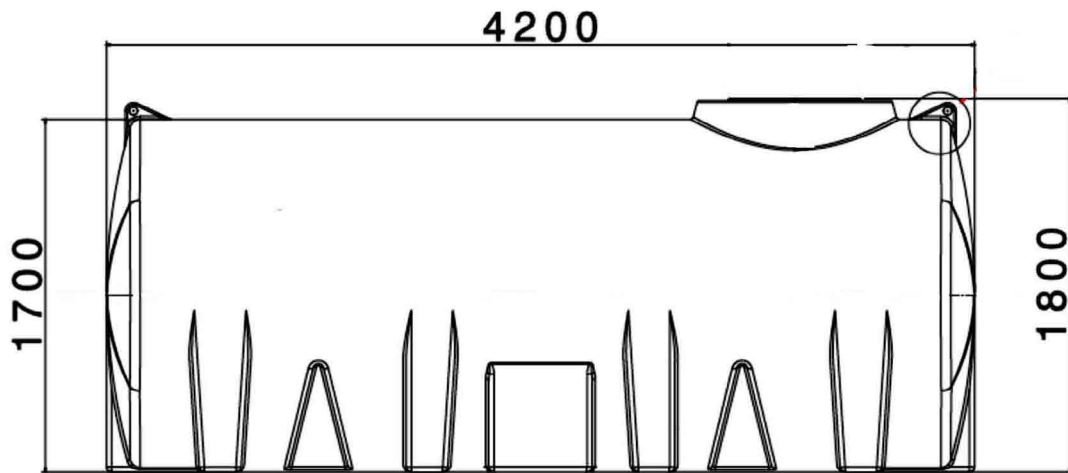


# Enduramaxx 10000L Horizontal Tank

## Technical Data Sheet

### 1710500x - Horizontal Tank



Standard Outlet	50mm BSP
Access Point (Internal Diameter)	567mm
Colours Available;	
Black	17105001
Natural	17105002
Translucent Green	17105005

  
**ENDURAMAXX**

**Distributed by:**  
 Fuel Proof Ltd  
 Middleton Business Park  
 Middleton Road  
 Heysham  
 Lancashire  
 LA3 3FH

Tel: 01524 850685  
 Fax: 01524 859681  
 e-mail: [sales@waterstorage.co.uk](mailto:sales@waterstorage.co.uk)  
 Web: [www.waterstorage.co.uk](http://www.waterstorage.co.uk)