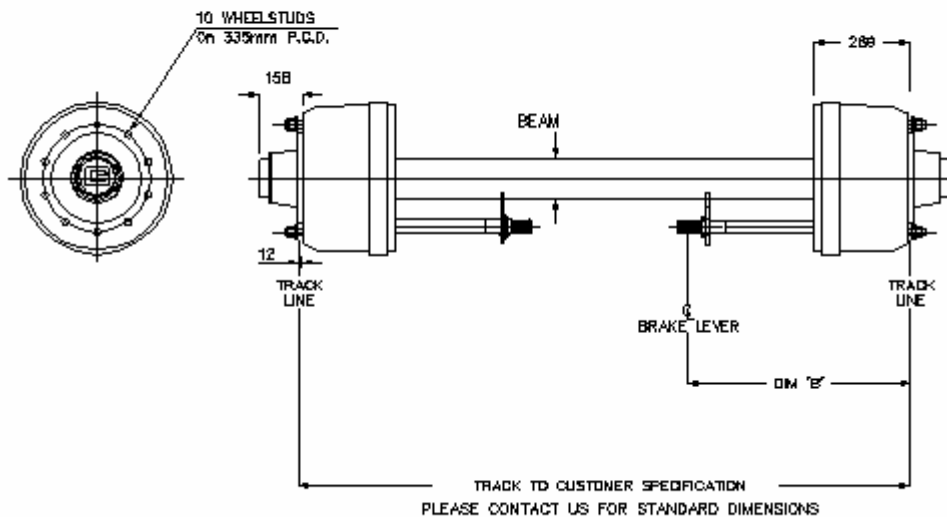




Granningaxles
Engineered transport solutions

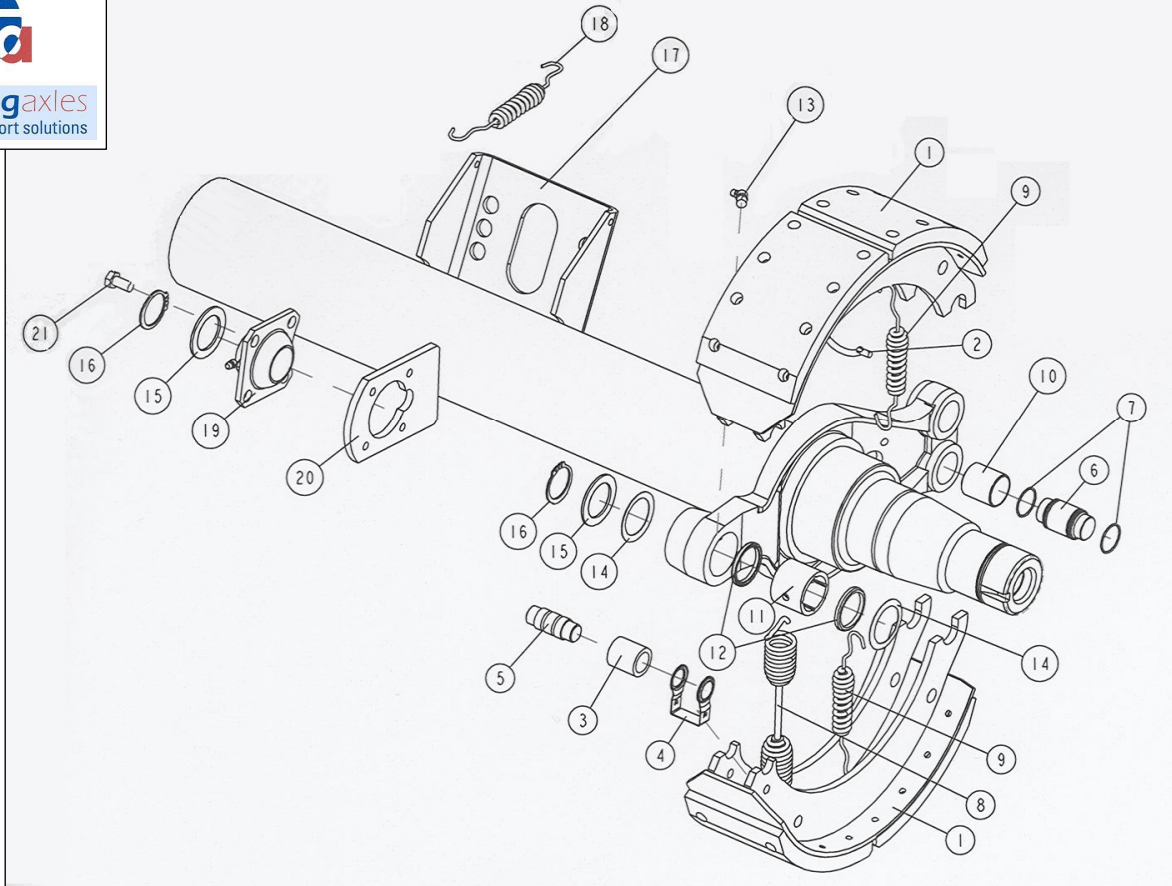
420 x 180 –100 SERIES AXLE

100 SERIES STRAIGHT AXLE



TOUGHLINE MANUFACTURING LTD
Naas Industrial Estate
Naas, Co. Kildare
Ireland

Tel: + 353 (0) 45 897553
Fax: + 353 (0) 45 894306
E-mail: sales@granningaxles.ie
Web: www.granningaxles.ie

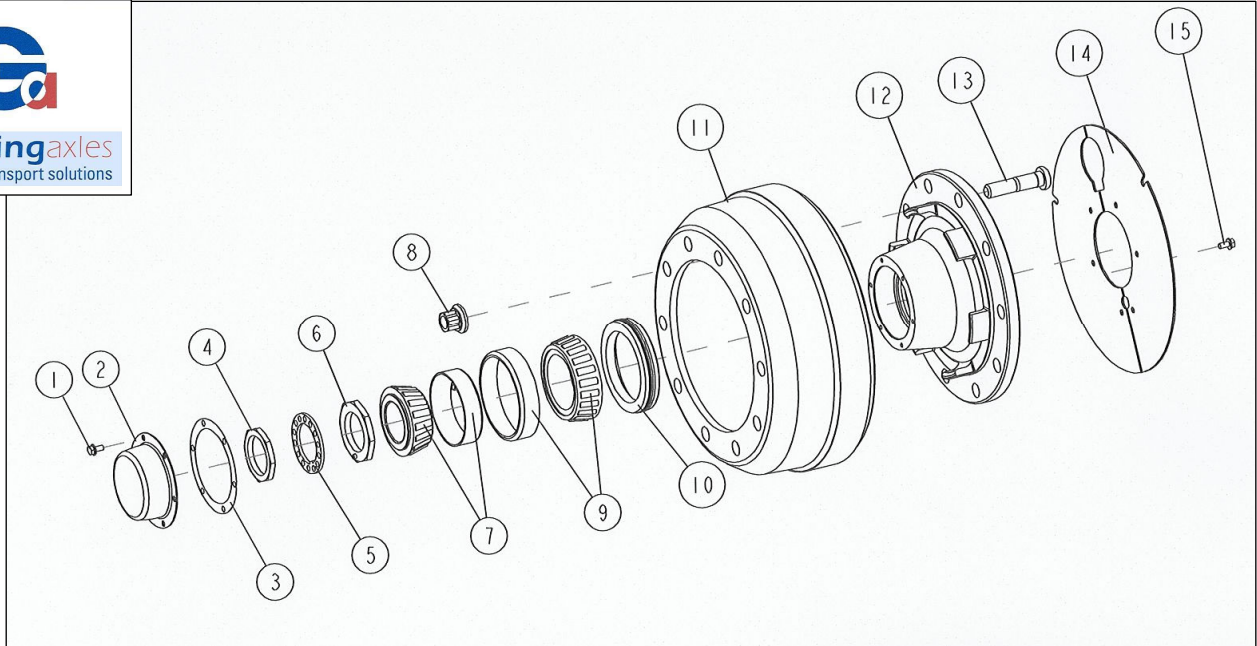


420 x 180 – 100 Series Quick Fit Brake Assembly

Item	Description	Part No.
1	Brake Shoe Assembly	61157
2	Spring Anchor Bar	61150
3	Sleeve Cam Roller	61210
4	Retainer Cam Roller	61220
5	Spindle Cam Roller	61230
6 & 7	Anchor Pin with O-Ring	61171
8	Spring Return	61140
9	Brake Shoe Retaining Spring	61141
10	Bush Anchor Pin	61200
11	Bush Sintered Camshaft	61055
12	Seal Grease Camshaft	61056
13	Greaser	61110
14	Bevelled Washer Camshaft	61057
15	Support Washer Camshaft	61058
16	Circlip	61120
17	Air Chamber Bracket	61041
18	Pull Off Spring Slack Adjuster	61142
19	Bearing Spherical Camshaft	61080
20	Bracket Support Camshaft	61050
21	Screw M10 x 20 Fl. Head	61359

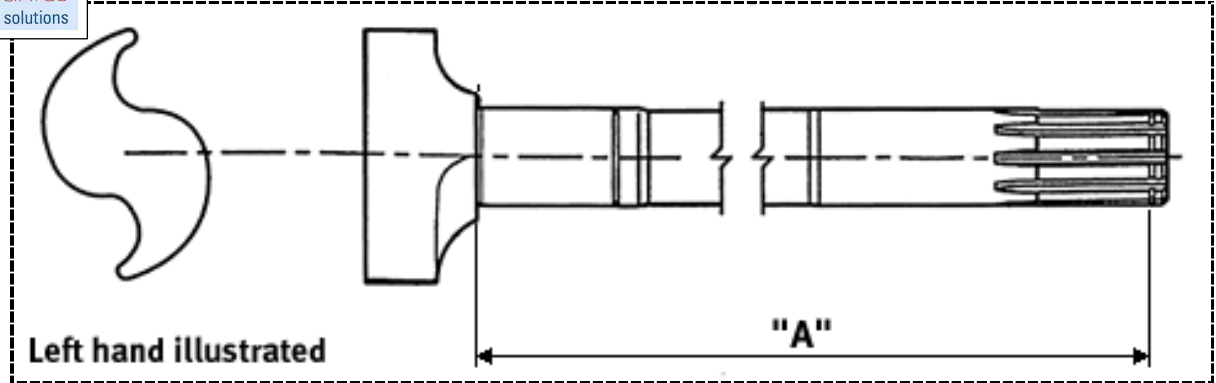
TOUGHLINE MANUFACTURING LTD
Naas Industrial Estate
Naas, Co. Kildare
Ireland

Tel: + 353 (0) 45 897553
Fax: + 353 (0) 45 894306
E-mail: sales@granningaxles.ie
Web: www.granningaxles.ie



420 x 180 – 100 Series Hub/Drum Assembly

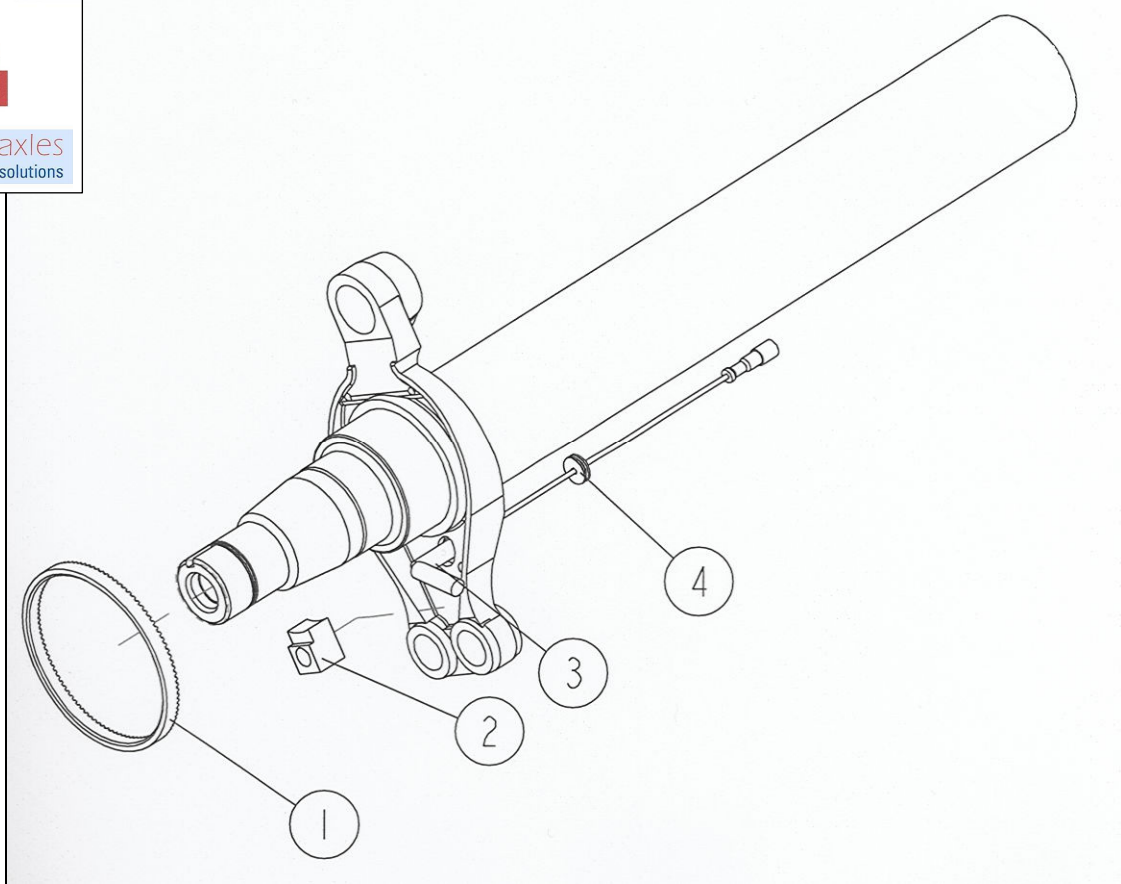
Item	Description	Part No.
1	Screw M8 x 16 Fl. Head	61358
2	Hub Cap Pressing "G"	61322
3	Gasket	61330
4	Locknut	61310
5	Lock Washer	61300
6	Adjusting Nut	61290
7	Outer Bearing	61265
8	Wheel Nut M22 ISO	61381
	Option 1	
	Wheel Nut M22 DIN	61383
	Wheel Cone M22 DIN outer	61372
	Wheel Cone M22 DIN inner	61371
	Option 2	
	Wheel Nut 7/8" BSF RH.	61380
	Wheel Nut 7/8" BSF LH.	61382
	Wheel Cone BSF	61370
	Wheel Bolt 7/8" BSF LH. Twin	61365
	Wheel Bolt 7/8" BSF RH. Twin	61362
9	Inner Bearing	61264
10	Seal Unitised Grease	61282
11	Brake Drum 10 Stud	61243
12	Hub Spigot 10 Stud	61253
13	Wheel Bolt M22 ISO	61386
	Wheel Bolt M22 ISO	61375
14	Dust Cover	61390F
15	Screw M8 x 16 Fl. Head	61358



420 x 180 – 100 Series Camshaft Parts List

Item	Description	Part No.
1	457 mm L/Hand	61063
2	457 mm R/Hand	61073
3	519 mm L/Hand	61065
4	519 mm R/Hand	61075
5	618 mm L/Hand	61067
6	618 mm R/Hand	61077
7	212 mm L/Hand	-
8	212 mm R/Hand	-
9	519 mm L/Hand	-
10	519 mm R/Hand	-
11	610 mm L/Hand	-
12	610 mm R/Hand	-
13	430 mm L/Hand	-
14	430 mm R/Hand	-
15	801 mm L/Hand	-
16	801 mm R/Hand	-

Camshaft lengths measured from under head to centre of last circlip groove.



420 x 180 – 100 Series ABS/Anti-Lock Assembly

Item	Description	Part No.
1	Pole Wheel	61789
2	Sensor Block	61781
3	Sensor Lead & Bush	61786
4	Grommet	61557

TOUGHLINE MANUFACTURING LTD
Naas Industrial Estate
Naas, Co. Kildare
Ireland

Tel: + 353 (0) 45 897553
Fax: + 353 (0) 45 894306
E-mail: sales@granningaxles.ie
Web: www.granningaxles.ie